

# COUPLERS, DIRECTIONAL

TYPE N 0.5-3 GHz

# SERIES CA-N

## GENERAL INFORMATION

KDI/Triangle Miniature Stripline Couplers, Series CA-N, are available in 10 dB, 20 dB and 30 dB, coupling values. These units feature high directivity and low VSWR and are conservatively rated to ensure the most reliable service and performance under severe environmental conditions.

## GENERAL SPECIFICATIONS

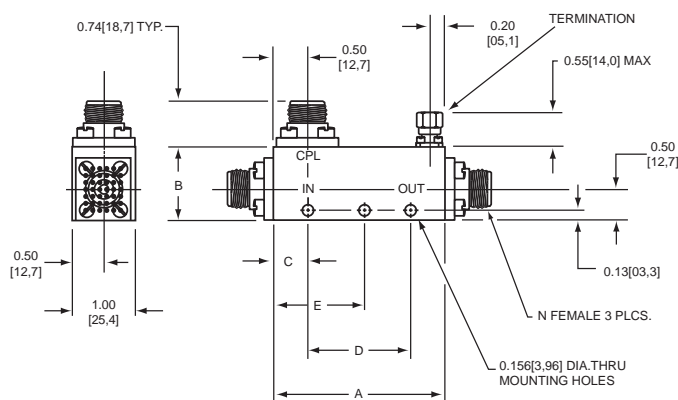
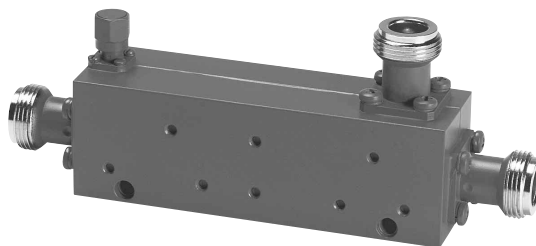
<b>Frequency Range:</b>	0.5 to 3 GHz
<b>RF Impedance:</b>	50 Ohms
<b>RF Power:</b>	The peak and average power handling capability of the couplers apply if the main line is terminated in a 1.25 maximum VSWR for the 10 dB couplers, and in a 1.75 maximum VSWR for the 20 and 30 dB couplers.
<b>Operating Temperature:</b>	-55°C to +85°C
<b>Connectors:</b>	N Female

### Notes:

1. Rugged 4 hole connector construction insures mechanical superiority.
2. A 50 ohm termination is supplied on each unit delivered. Power rating is 1.0 watts at +25°C

## MECHANICAL OUTLINE

Outline	A	B	C	D	E
	in[mm]	in[mm]	in[mm]	in[mm]	in[mm]
1	3.50[88,9]	1.14[28,96]	0.50[12,7]	2.800[71,12]	-
2	1.40[35,56]	1.14[28,96]	—	—	0.78[19,81]



**SERIES CA-N  
OUTLINE**

## ELECTRICAL PERFORMANCE

Model No.	Frequency Range GHz	Coupling (Note 1) dB	Frequency Flatness (Note 1) dB	Minimum Directivity dB	Maximum Input/Output VSWR	Maximum Ins. Loss Above Coupling dB	Maximum Peak Power kW	Maximum Avg. Power Watts	Outline
CA-521-N	.5-2.0	10 ±1.0	±0.6	18	1.25	0.2	10	50	1
CA-522-N	.5-2.0	20 ±1.2	±0.7	18	1.25	0.2	10	50	1
CA-523-N	.5-2.0	30 ±1.25	±0.7	18	1.25	0.2	10	50	1
CA-631-N	1.5-3.0	10 ±1.0	±0.6	18	1.25	0.2	7	50	2
CA-632-N	1.5-3.0	20 ±1.2	±0.7	18	1.25	0.2	7	50	2
CA-633-N	1.5-3.0	30 ±1.25	±0.7	18	1.25	0.2	7	50	2

### Notes:

1. Coupling includes Frequency Flatness. Coupling measurement is referenced to Input Port.

KEY: Inches[Millimeters] .XX ±.03 .XXX ±.010 [.X ±0.8 .XX ±0.25]